

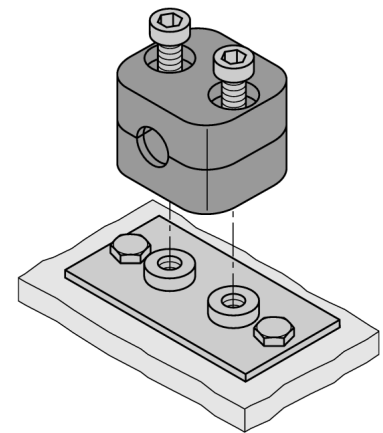
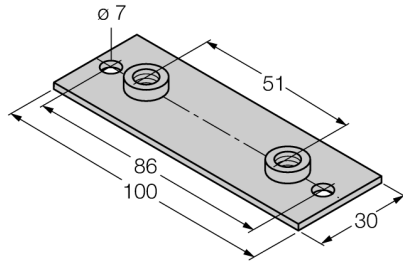
Mounting accessories
weld on disc
BSS-SPV5

Accessories for fixing clamps

Material: Metal, ST 37

General description

The portfolio of mounting brackets consists of two half-shells and two Allen screws each. Optionally welding plates with additional drilling holes can be used. Matching DIN rail nuts are available for the mounting of DIN rails.



Type code	BSS-SPV5
Ident-No.	6901324
Dimensions	30 x 100 mm
Housing material	metal, ST 37